





91550-1 CURRENT PROBE



The Model 91550-1 and 91550-1L current probes are extremely broad frequency range probes covering 20 Hz to 100 MHz.

-  [REQUEST FOR QUOTE](#)
-  [Send this Page](#)
-  [Print Version - all info](#)
-  [91550-1 Current Probe Manual](#)

| Description | Specs | Charts | All Info |
|-------------|-------|--------|----------|
|-------------|-------|--------|----------|

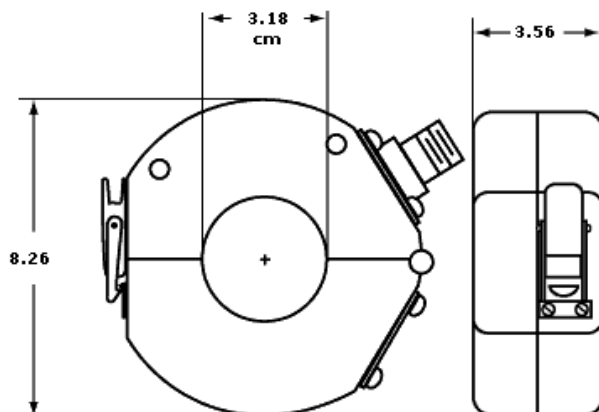
Key Features

- For Standards Testing and Pre-compliance Applications
- Measures RF Current Without Direct Connection

Description

The 91550-1 and 91550-1L current probes have a calibration available down to 20 Hz which makes them ideal test equipment for such test methods as MILSTD-462 CEO1 and RSO1. In particular, the newer CEO1 limits which are dependent on EUT current/voltage requirements are more stringent than the older fixed limit CEO1 requirement. Coupled with the widespread use of microwave spectrum analyzers (such as the HP8566) with degraded sensitivity below 100 Hz, sensitivity at low audio frequencies is very important. Use of the 91197-1 current probes with the HP8566B allows current measurements below 80 dB at 20 Hz. This is more than 6 dB below MILSTD-461 and related conducted emission limits, including common mode limits on submarines.

The Model 91197-1 EMC probe family has a 3.18 cm (1.25 in) window, making it suitable for measurements on most power cables (AWG 4/0 cable, good for several hundred Amps, is 12.7 mm (0.5 in) diameter, exclusive of insulation.) Probe saturation current is compatible with the current carrying capacity of wires placed in its window. In those cases where the window is not large enough, our 93686-1 probe has similar sensitivity with a 6.65 cm (2.62 in) window.



*All measurements are in centimeters

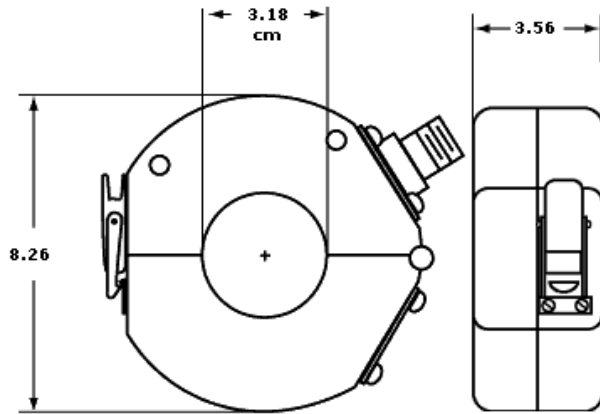
Electrical Specifications

| | |
|------------------------------|-----------------------------------------------------------|
| Frequency Minimum | 10 kHz |
| Frequency Maximum | 100 MHz |
| Load Impedance | 50 +/- j0 |
| Maximum Primary Current Amps | 400 Hz: 350 DC-60 Hz: 350 Pulse: 100 RF(CW) : 42 |
| Transfer Impedance | 5 Ω |

Physical Specifications

| | |
|-------------|-----------------------|
| Outside DIA | 8.26 cm (3.25 inches) |
| Weight | 0.6 kg (1.32 lb) |
| Width | 3.56 cm (1.40 inches) |
| Window DIA | 3.18 cm (1.25 inches) |

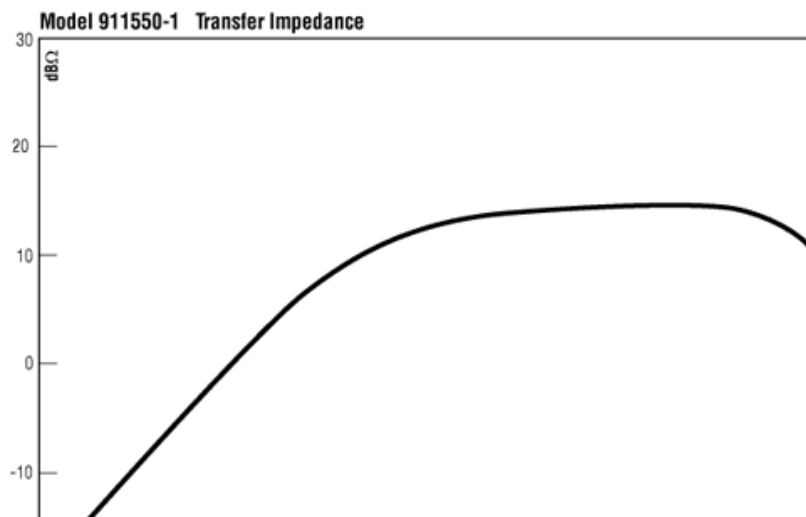
Diagram

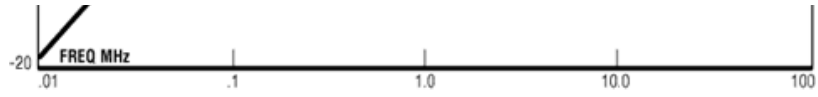


*All measurements are in centimeters

Technical Charts

91550-1 Transfer Impedance





© 2011 ETS-Lindgren Privacy Site Map Careers