

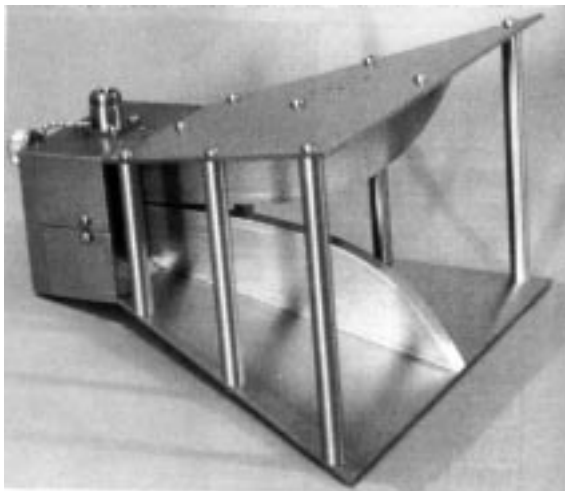
DRG SERIES

The **DRG series** broadband waveguide horns are linearly polarized and provide an efficient low cost means of making broadband measurements. The ridged horn antennas cover the 200 MHz to 40 GHz frequency band in overlapping ranges. These horns are ideally suited for EMC testing, direction finding, surveillance, antenna gain and pattern measurements and other applications. Our **DRG series** horn antennas show the following characteristics: high gain, uniform E and H plane patterns over multi-octave bandwidths, low VSWR and the advantage of small size and light weight.

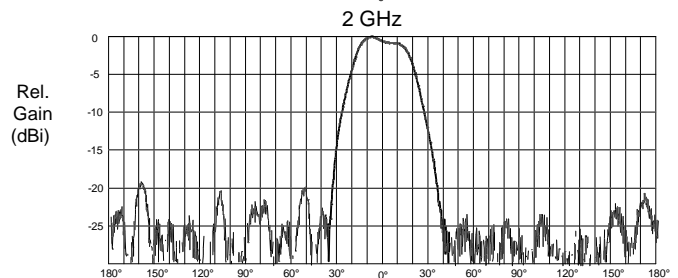
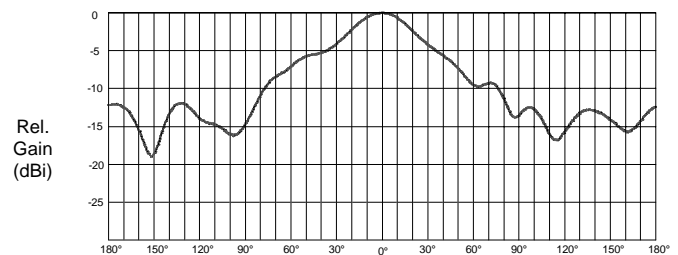


DRG-2678/A

ANTENNA MODEL NUMBER	FREQUENCY RANGE (GHz)	VSWR (TYP)	GAIN (TYP) (dBi)	POWER CW (WATTS)	3 dB BEAMWIDTH (NOMINAL)	CONNECTOR TYPE	CONFIGURATION (SEE FIGURES)	WG SIZE (WRD)
DRG - 2020/A	.200 - 2.0	2.0 : 1	7.0 - 11.0	800	52° - 24°	N-f	See picture	
DRG - 112/A	1.0 - 12.0	2.0 : 1	6.0 - 14.0	400	52° - 24°	N-f	See DRG-118/A	
DRG - 118/A	1.0 - 18.0	2.0 : 1	6.0 - 14.0	400	35° - 20°	N-f	See picture	
DRG - 1020/A	1.0 - 2.0	2.0 : 1	11.0 - 17.0	400	35° - 20°	N-f	1	
DRG - 1020/B	1.0 - 2.0	2.0 : 1	8.9 - 14.2	400	50° - 30°	N-f	2	
DRG - 2040/A	2.0 - 4.0	2.0 : 1	15.7 - 20.3	250	35° - 30°	N-f	2	
DRG - 2678/A	2.6 - 7.8	2.0 : 1	11.0 - 17.0	375	35° - 20°	N-f	4	250
DRG - 3582/A	3.5 - 8.2	2.0 : 1	11.0 - 17.0	375	35° - 20°	N-f	4	350
DRG - 4010/A	4.0 - 10.0	2.0 : 1	11.0 - 17.0	375	35° - 20°	N-f	4	350
DRG - 4711/A	4.75 - 11.0	2.0 : 1	11.0 - 17.0	375	35° - 20°	N-f	4	475
DRG - 5018/A	5.0 - 18.0	2.0 : 1	11.0 - 17.0	250	35° - 20°	N-f	4	500
DRG - 6518/A	6.5 - 18.0	2.0 : 1	11.0 - 17.0	50	35° - 20°	SMA-N	4	650
DRG - 7518/A	7.5 - 18.0	2.0 : 1	11.0 - 17.0	50	35° - 20°	SMA-N	4	750
DRG - 1126/A	11.0 - 26.5	2.0 : 1	11.0 - 17.0	10	35° - 20°	K-f	6	110
DRG - 1840/A	18.0 - 40.0	2.0 : 1	19.0 - 24.0	10	15° - 10°	K-f	6	180



DRG-118/A



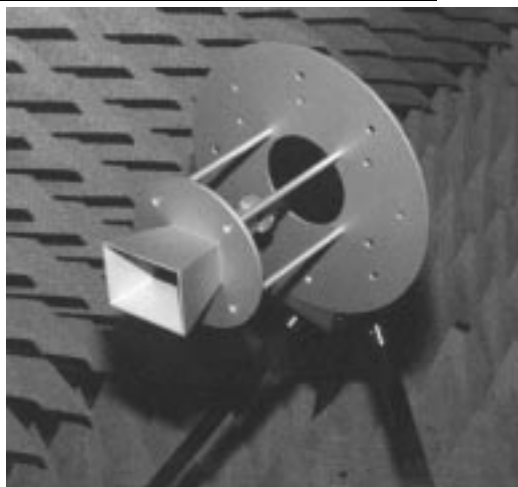
DRG - 118/A - RADIATION PATTERNS

TYPICAL ANTENNA GAIN FOR WIDEBAND HORNS

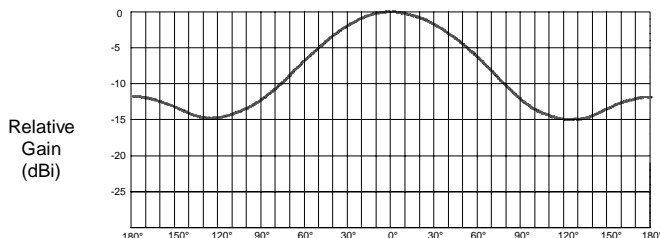
FREQUENCY (GHz)	MODEL DRG - 118/A	MODEL DRG-5018/A
	GAIN (dBi)	GAIN (dBi)
1	7.3	
2	6.1	
3	9.1	
4	12.3	
5	11.4	10.9
6	12.8	12.1
7	11.8	12.7
8	11.5	12.7
9	13.1	14.0
10	12.2	13.9
12	14.0	14.4
14	10.8	15.8
16	15.8	17.0
18	12.8	17.9

MODEL DRG - 2020/A	
FREQUENCY (MHz)	GAIN (dBi)
200	7.0
400	9.3
600	11.5
800	10.4
1000	12.7
1200	10.6
1400	10.1
1600	9.3
1800	10.3
2000	10.3

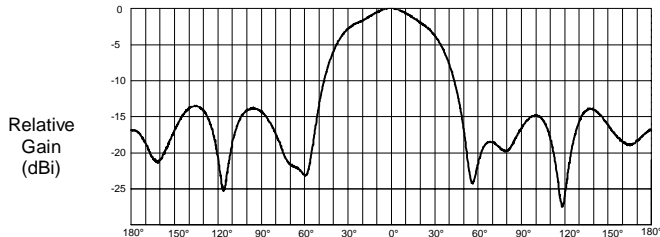
FREQUENCY (GHz)	MODEL DRG - 1840/A	MODEL MWH-1826/B	MODEL MWH-2640/B
	GAIN (dBi)	GAIN (dBi)	GAIN (dBi)
18	19.0	23.5	
19	19.5	23.7	
20	20.6	24.2	
22	21.9	24.6	
24	22.4	24.9	
26	23.4	25.1	
28	24.1		23.2
30	25.5		23.6
32	23.1		24.1
34	22.8		24.3
36	22.3		24.4
38	20.8		24.7
40	19.0		24.9
			25.0



DRG - 1840/A

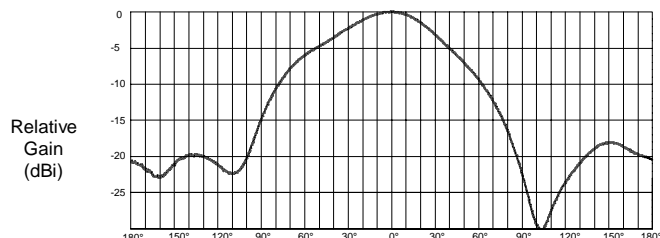


200 MHz

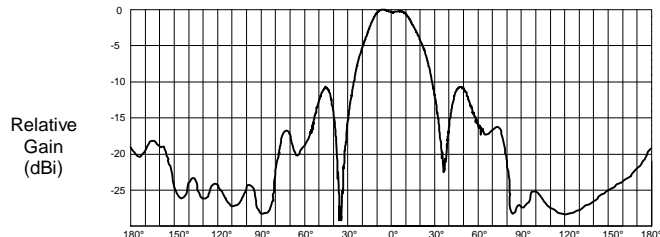


800 MHz

DRG - 2020/A



400 MHz



2 GHz

DRG - 2020/A ANTENNA PATTERNS

DIMENSIONS FOR HORN ANTENNAS

ANTENNA MODEL	CONFIGURATION (SEE FIGURES)	DIMENSIONS (INCHES)										
		A	B	C	D	E	F	G				
MWH - 2550/A	1	68.0	50.3	69.0	36.0	36.0	18.5	24.0				
MWH - 5010/A	1	34.0	25.3	33.3	18.0	18.0	16.0	16				
MWH - 7511/A	3	35.7	24.3	32.0								
MWH - 9614/A	3	27.5	18.8	25.0								
MWH - 1117/A	3	23.5	16.0	22.5								
MWH - 1422/A	3	18.2	12.3	18.5								
MWH - 1726/A	3	14	10.5	25.0								
MWH - 24/A	2	14	10.9	23.0					7.12	6.0	4.0	4.0
MWH - 2233/A	4	12.0	8.2	14.1								
MWH - 2639/A	4	9.5	6.9	22.0								
MWH - 3349/A	4	8.0	5.6	12.1								
MWH - 48/A	5	2.0	1.6	3.2					3" dia.	8 on 2.5" BC		
MWH - 3958/A	3	6.5	5.0	15.0								
MWH - 4970/A	4	5.5	3.7	13.0								
MWH - 5882/A	3	5.0	3.5	12								
MWH - 7010/A	4	3.8	2.6	7.5								
MWH - 8212/A	3	3.0	2.5	9.0								
MWH - 812/A	5	1.3	1.3	3.2					3" dia.	8 on 2.5" BC		
MWH - 1015/A	4	2.6	1.8	6.0								
MWH - 1218/A	3	2.0	1.5	5.5								
MWH - 1218/B	5	0.7	0.7	3.2	3" dia.	8 on 2.5" BC						
MWH - 1522/A	4	1.8	1.2	4.0								
MWH - 1826/B	6	4.3	3.4	11.9					9" dia.	6 on 5.5" and 8 on 7.06" BC		
MWH - 2233/A	3	1.2	.82	3.0								
MWH - 2640/B	4	3.1	2.5	8.9								
DRG - 2020/A	See picture (Page 57)	38.0	27.0	36.8								
DRG - 118/A	See picture (Page 56)	9.5	5.63	7.85								
DRG - 1020/A	1	17.0	12.6	16.9	9.0	5.4	8.25	4.64				
DRG - 1020/B	2	13.5	9.4	19.3	7.0	6.0	4.0	4.0				
DRG - 2040/A	2	12.0	8.0	10.3	7.12	6.0	4.0	4.0				
DRG - 2678/A	4	6.5	4.4	14.5								
DRG - 3582/A	4	5.4	3.7	13.7								
DRG - 4010/A	4	5.1	3.7	7.0								
DRG - 4711/A	4	5.1	3.7	7.0								
DRG - 5018/A	4	3.4	2.5	6.25								
DRG - 6518/A	4	2.7	1.8	6.2								
DRG - 7518/A	4	2.5	1.7	6.2								
DRG - 1126/A	4	1.7	1.2	4.3								
DRG - 1840/A	6	2.8	2.2	7.4					9" dia	6 on 5.5" and 8 on 7.06" BC		

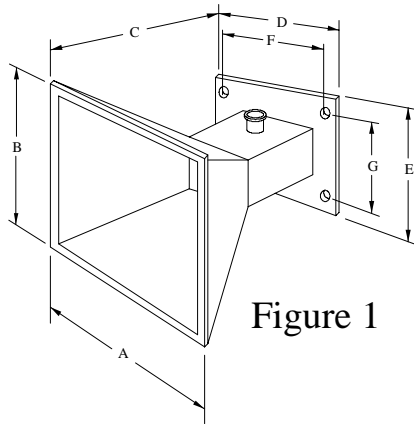


Figure 1

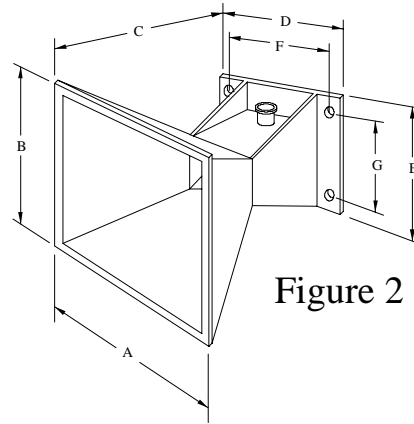


Figure 2

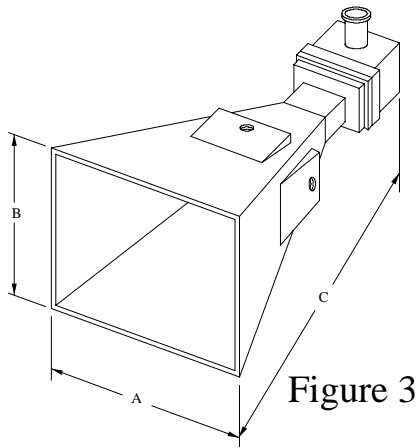


Figure 3

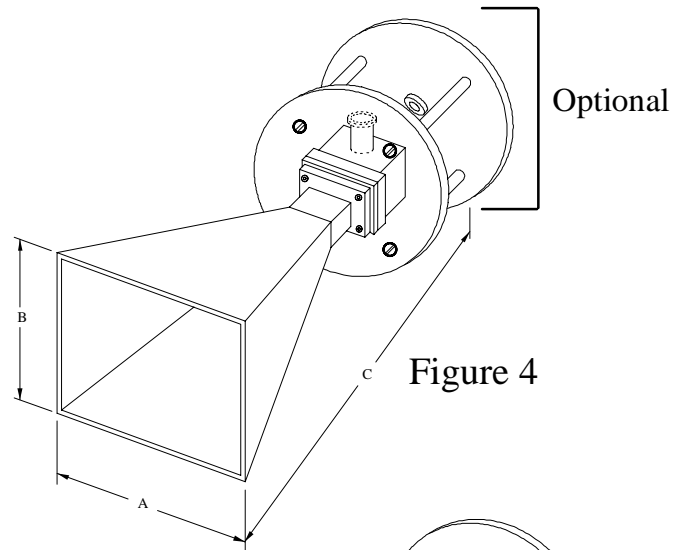


Figure 4

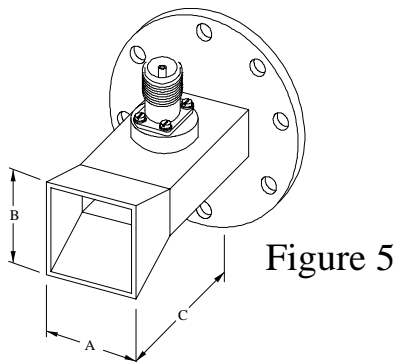


Figure 5

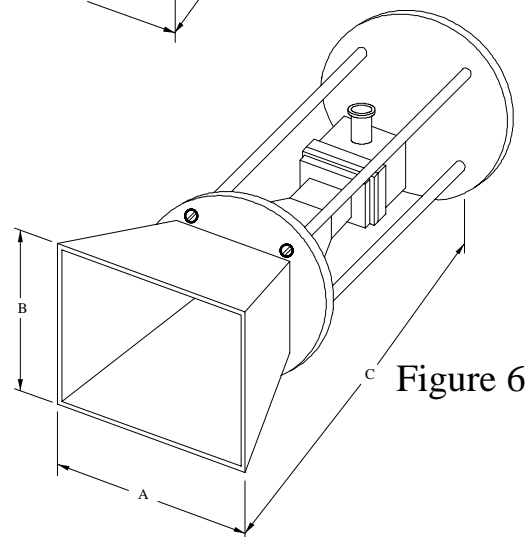


Figure 6

WHEN ORDERING WAVEGUIDE FLANGE OUTPUT, ADD 'WG' FOLLOWING THE MODEL NUMBER.